

電路學(EE2210)第一次隨堂考

2013年9月25日

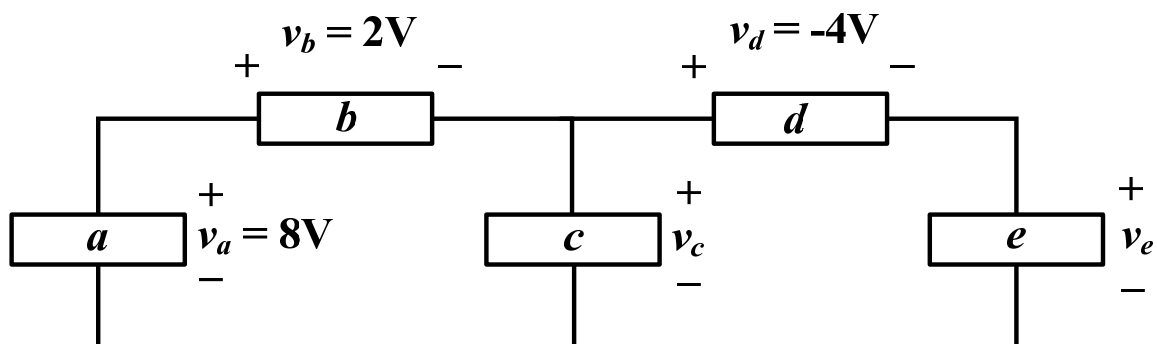
時間：10 分鐘

Close Book

學號：_____

姓名：_____

For the circuit as shown below, there are five elements which observe the *Associated Variables Convention*. Among the five elements, the voltages for three elements are given on the figure. The current for element b is $i_b = 2\text{A}$ and for element d is $i_d = 8\text{A}$. By using the KVL and KCL, please find (i) the current of element a , (ii) the voltage, the current and the power of element c , (iii) the voltage of element e .



$i_a =$ _____,

$v_c =$ _____, $i_c =$ _____, $p_c =$ _____.

$v_e =$ _____.